

MOUNTING PROCEDURE

KIT SAVE CARTER
HONDA CBR 1000 RR '08 - '13

HP1101-11

WWW.BARRACUDAMOTO.COM

KIT

RIGHT SIDE:

- X1. TICHNESS 30
- X1. TICHNESS 16
- X1. TICHNESS 11
- X1. BRUSH 6X60
- X1. BRUSH 6X45
- X1. BRUSH 6X40
- X1. BRUSH 8X30
- X3. WASHER Ø 6

LEFT SIDE:

- X3. TICHNESS 30
- X3. BRUSH 6X60
- X1. BRUSH 8X30
- X3. WASHER Ø 6

RIGHT SIDE



Brush 6X45

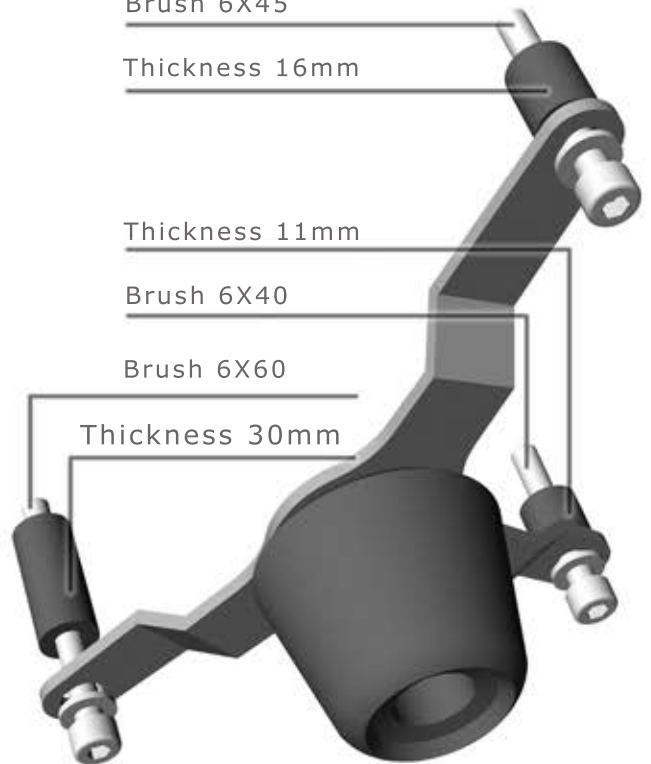
Thickness 16mm

Thickness 11mm

Brush 6X40

Brush 6X60

Thickness 30mm



LEFT SIDE



Thickness 30mm

Brush 6X60

