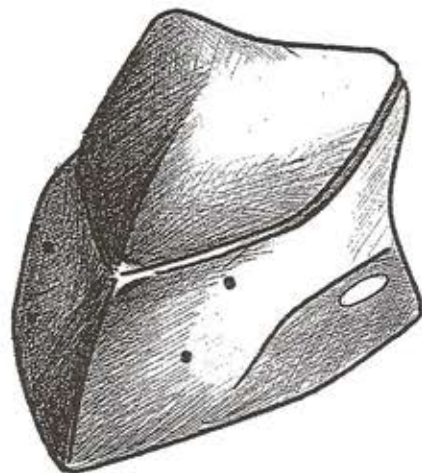
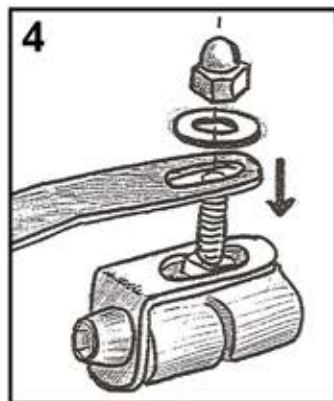
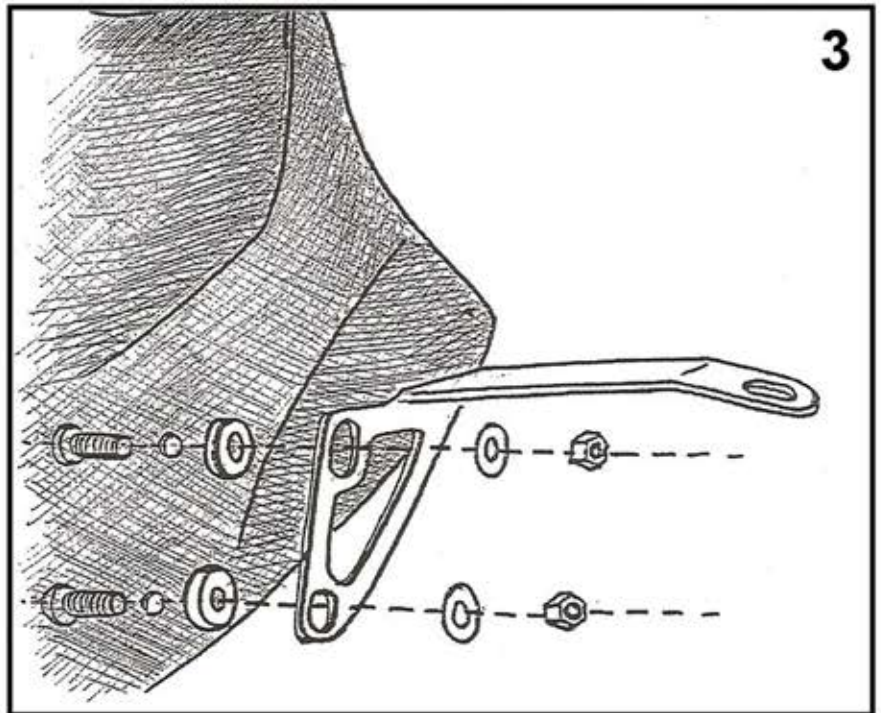
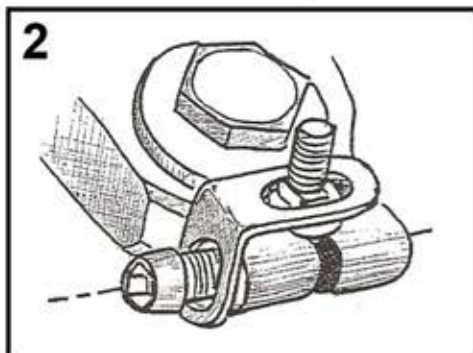
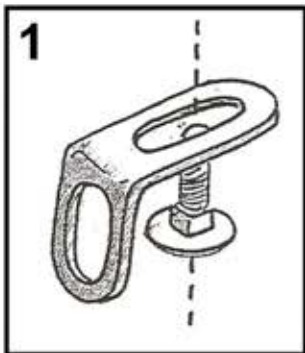


MOUNTING PROCEDURE**KIT WINDSHIELD
YAMAHA FZ1****YF1300**WWW.BARRACUDAMOTO.COM**KIT**

- X2. BRACKET
- X2. "L" STIRRUP
- X2. THICKNESS Ø 13
- X2. "ROUND HEAD" SCREW 8X40
- X2. "ROUND HEAD" SCREW 5X16
- X4. TEFLON WASHERS Ø 5
- X4. LARGE WASHER Ø 5
- X4. RUBBER WASHER
- X4. AUTOLOCK NUT Ø 5
- X2. LARGE WASHER Ø 6
- X2. SQUARE SHAPE SCREW Ø 6
- X2. BLIND NUT Ø 6
- X1. BARRACUDA WINDSHIELD/SCREEN



INSERT THE AUTOLOCK "ROUND HEAD" SCREW INTO THE "L" STIRRUP (PICTURE 1). POSITION THE BRACKET ON TOP OF PLATE USING ORIGINAL SCREWS (PICTURE 2). INSERT FOUR SCREWS INTO THE WINDSHIELD/SCREEN HOLES FROM THE OUTSIDE PART. INSERT THE RUBBER THICKNESS, SPECIFIC BRACKET, METAL WASHER AND AT THE END THE AUTOLOCK NUT FROM THE INSIDE PART (PICTURE 3). POSITION THE "L" STIRRUP MOUNTED BEFORE AND INSERT THE METAL WASHER AND NOW FIX ALL WITH THE BLIND NUTS (PICTURE 4)

NOTE: TAKE CARE THAT THE WINDSHIELD WILL BE GOOD FIXATION TO THE MOTORBIKE.