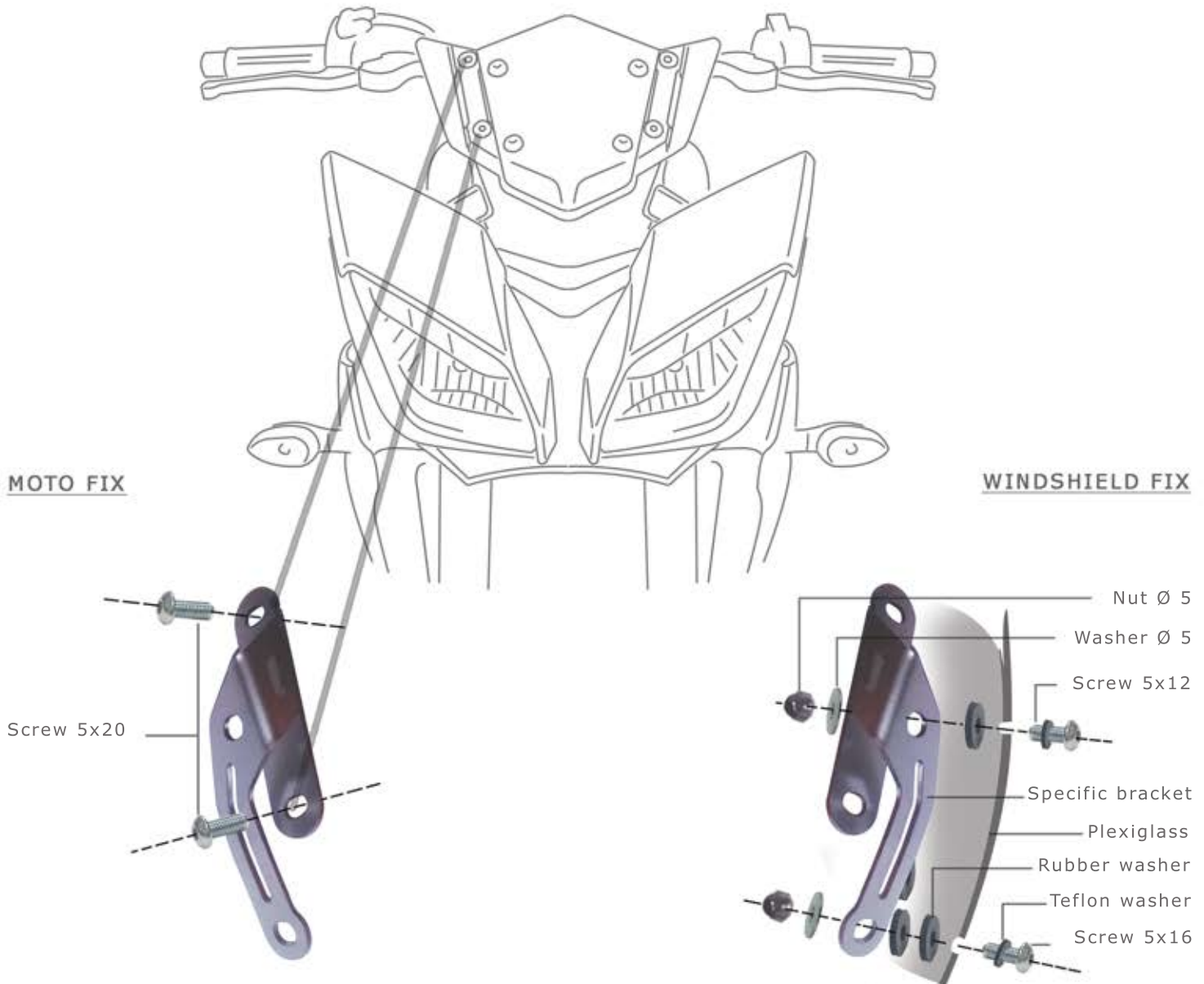


**MOUNTING PROCEDURE****KIT WINDSHIELD  
YAMAHA TRACER****YMTR9300**[WWW.BARRACUDAMOTO.COM](http://WWW.BARRACUDAMOTO.COM)**MOUNTING PROCEDURE:**

- REMOVE THE ORIGINAL WINDSHIELD AND LEVERPROTECT AND INSTALL SPECIFIC BRACKET WITH THE 5X20 SCREWS IN TO THE HOLES HIGHLIGHT;
- PUT ALL LIKE ILLUSTRATED SCHEME;
- FIND THE RIGHT POSITION OF WINDSHIELD ON THE BRACKET ALREADY FIXED AND LOCK ALL THE SCREWS

**KIT**

- X1. PLEXIGLASS
- X2. SPECIFIC BRACKET
- X2. SCREW "ROUND HEAD" 5X12
- X2. SCREW "ROUND HEAD" 5X16
- X4. SCREW "ROUND HEAD" 5X20
- X4. WASHER IN TEFLON  $\varnothing$  5
- X6. RUBBER WASHER
- X4. WASHER  $\varnothing$  5 LARGE
- X4. NUT  $\varnothing$  5 AUTOLOCK



NOTE: DON'T LOCK TOO MUCH TO AVOID PLEXIGLASS BROKEN